

Libra + 150m Plug-in chime kit with push

Installation and Use

Thank you for choosing this Friedland product. Please use the following instructions to ensure correct installation and use. Keep these notes in a safe place for future reference.

Checking pack contents

Unpack your chime kit and identify the following parts:

- Chime
- Bell push
- CR2032 battery for bell push
- 2 x fixing screws for push
- Adhesive pad

You will need:

- A 4mm cross-head screwdriver
- A small flat bladed screwdriver

Safety

Before proceeding with the installation, please note the following safety warnings:

- Always follow the manufacturer's advice when using power tools and wear suitable protective equipment (e.g. safety goggles) when drilling holes etc.
- Before drilling holes in walls, check for hidden electricity cables and water pipes, the use of a cable/pipe locator maybe advisable if in doubt.

Quick start

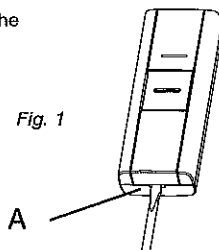
The bell push supplied with this kit is pre-programmed to operate with the chime. You need to do the following to get started:

- Open the bell push
- Fit the push battery
- Check the chime switch setting
- Check the volume setting
- Plug in the chime

When you operate the bell push, the chime will sound and the 1st icon will flash. If you have additional pushes or you want to assign a different icon to your push, you will need to follow the programming procedure.

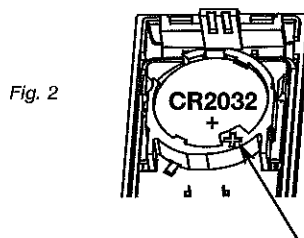
Open the bell push

Insert a flat bladed screwdriver into the slot A, at the base of the push. Carefully lever the cover and base apart (Fig. 1).



To fit the bell push battery

Insert the CR2032 coin cell. Ensure the face marked '+' is uppermost (Fig. 2).



Chime switch positions

Mute

To turn the sound off, set switch (B) to position 1.

Flash off

To turn the flashing light off, set switch (B) to position 3.

Normal operation

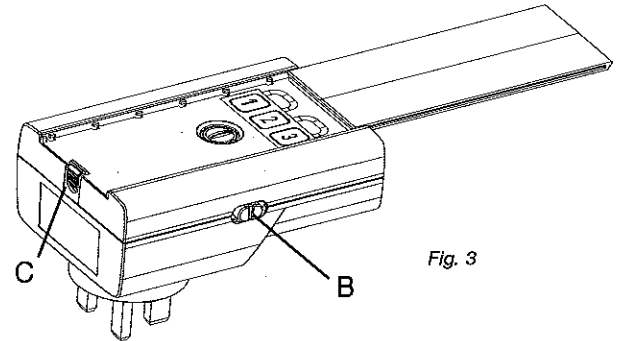
For normal operation (sound + flashing light), set switch (B) to position 2.

Volume control

The volume control is behind the sliding window, on the front of the chime. Initially, set the control to mid-point. After you have tested your system, adjust to the desired volume.

Sliding window

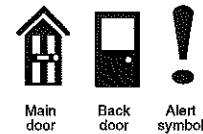
Release the catch C and slide open the window (Fig. 3).



Use of icons

In addition to the chime sounds, your chime has a visual indication to show which device has activated it.

An icon will illuminate when the chime is activated by a bell push or another compatible device. The chime supports 3 icons:



The 'Main door' and 'Back door' icons are usually used for bell pushes. The other icons are intended for use with other compatible devices, such as PIR movement detectors and Telephone ring detector. Icons numbered 1 to 3 are also included. The icons are self-adhesive, supplied in strips of 3. They can be changed, if required, by opening the sliding window of the chime and gently peeling off the strips. If desired, the strips can be cut into individual icons and fixed to the chime in a different order.



Use the Programming procedure to change the icon associated with a push.

Programming procedure

Learn mode

To enable your chime to learn the identity of your bell push:

- Press the ● button and keep it pressed. Each icon will light in turn. When the icon you want is lit, release the button.
- While the icon you have selected is lit, operate your push. The chime will sound. The icon will flash.

Unlearn procedure

If you want to remove a push from the chime's memory:

- Press the ● button and keep it pressed. Each icon will light in turn. When the icon associated with the push to be un-learned is lit, release the button.
- Press and hold down both ● & 🎵 buttons, until a 'beep' sound is heard.

Changing the tune

Changing the tune

Operate the push. While the icon is flashing, press the 🎵 button. Press the button again and the tune will change. Repeat until the tune you want plays.

Recall function

A short push of the ● button will flash the icon that was last in use.

Chime sounds

To hear the chime sounds without operating the bell push, press the 🎵 button. Press the button again and the tune will change.

Mount the bell push

Mount using either the double sided adhesive pad, or the screws provided (see Fig 6). Test your push before fixing. Avoid fixing to metal structures.

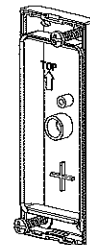


Fig. 6

Troubleshooting

A 'beep' sound is heard in learn mode...

- The push you are programming has already been learnt by the chime.
- If you want to change the icon associated with the push, use the un-learn procedure, then programme the push again.

Two 'beep' sounds are heard after the normal chime sound...

- This indicates a low battery in the bell push that activated the chime. Fit a new battery, type CR2032.

When the bell push is operated, the amber confidence light does not turn on, or is only on for a short time...

- In normal operation, the amber light will turn on for 1 second. When the battery is weak, the light will only turn on for a short time. Fit a new battery, type CR2032.

The chime does not work...

- Check that the chime is plugged in to 230V socket.
- Does the socket have a switch? Is it in the 'ON' position
- The chime could be out of range of the bell push. Try the chime in a different location.
- The chime might not have learnt the identity of the bell push. Follow the programming procedure.

The chime does not sound...

- Check the chime switch position.
- Check that the volume control is not at the minimum setting.

The flashing light does not work...

- Check the chime switch position.

Range is reduced...

- Metal structures, including uPVC door frames can reduce the range of the product. Avoid mounting the push or chime on or near metal structures.
- Other equipment can cause radio interference that affects your chime.
- Walls and ceilings will reduce the range.
- Weak batteries will reduce range. Replace every 12 – 18 months. In cold conditions (below 5°C), batteries may need to be replaced more often.

Chime/Push does not work with my older Libra equipment...

- Libra + is not compatible with the earlier Libra system.
- Only use accessories marked Libra +.

Specifications

Specification	Chime	Bell push
Operating Temperature	0 to 40°C	-10 to 40°C
Range (open field)	150 m	150 m
RF Frequency – UK/Europe	868 MHz	868 MHz
Sound Level (typical)	75dBA @ 1m	-
RF Power	-	<10 mW
Battery Type	-	CR2032
Battery Life (5 activations/day)	12 Months	18 Months
Input	230V, 50Hz, 5W	-
IP Rating	IP4x	IP55

Guarantee

Friedland guarantees this product for 2 years from the date of purchase. Proof of purchase is required; this does not affect your statutory rights. If you require further information about our product, call the Friedland helpline on 01268 563066.

Disposal & Recycling

Batteries and waste electrical products should not be disposed of with household waste.

Please recycle where these facilities exist. Check with your local authority or retailer for recycling advice.

Declaration

Novar ED&S hereby declares that this product is in compliance with the essential requirements and other relevant provisions of the Radio and Telecommunications Terminal Equipment (R&TTE) directive, 1999/5/EC.

Friedland, The Arnold Centre, Paycocke Road, Basildon, Essex, SS14 3EA
www.friedland.co.uk